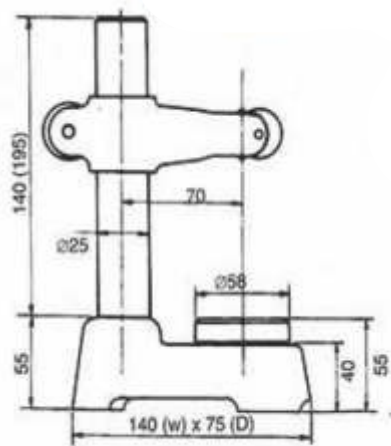


DIAL GAUGE STANDS

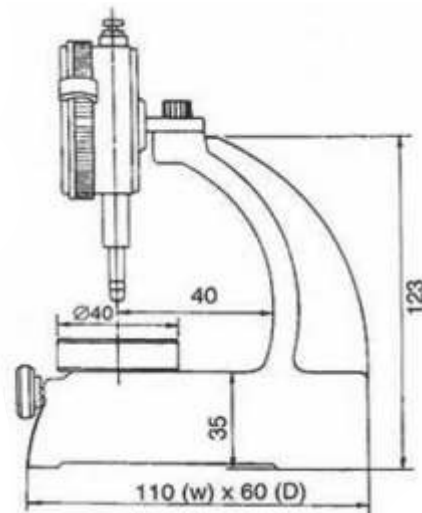
QUALITY, RELIABILITY AND VALUE FOR MONEY

Mini Dial Indicator Stand
Model DGS 1010



1010

Upright Dial Gauge Stand
Model DGS 1040



1040

Jafuji Dial Indicator Stands and all anvils are made of H.C.H.Cr with hardness of $60 \pm 1\text{HRC}$ and flatness lapped to $3\mu\text{m}$. Comparator Stands are of Robust Design and have accurately grounded working surfaces. Rapid adjustment of the Dial Indicator is possible by moving it along the vertical columns, which facilitates measurements at any point over the table.

DGS - 1 - 1010 MINI DIAL INDICATOR STAND

This Measuring Stand is particularly suitable for quick and accurate of small flat or round works. It is also readily adaptable as a thickness gauge.

DGS - 1- 1040 UPRIGHT DIAL GAUGE STAND

- ★ Compact and inexpensive Dial Gauge Stand.
- ★ Suitable for inspecting small parts on the shop floor.
- ★ Anvil diameter : 40 mm
- ★ Back Lug on centre clamping

Model No.	Clamping Stem Diameter	Maxi Working Height	Fine Adjustment Range	Mass Kg	Flatness
1010	8 mm	100 mm	--	2.8	$3\mu\text{m}$
1040	--	20 mm	--	1.5	$3\mu\text{m}$

* Dial Gauge is not included

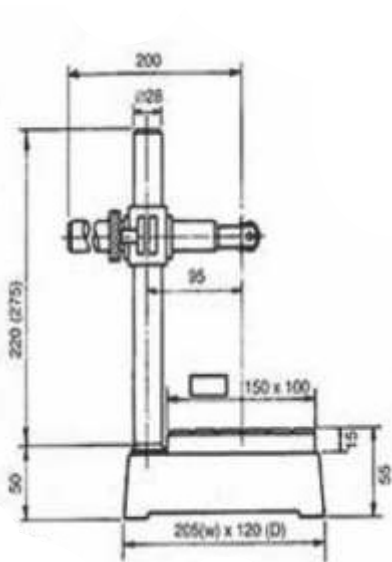
DIAL GAUGE STANDS

QUALITY, RELIABILITY AND VALUE FOR MONEY

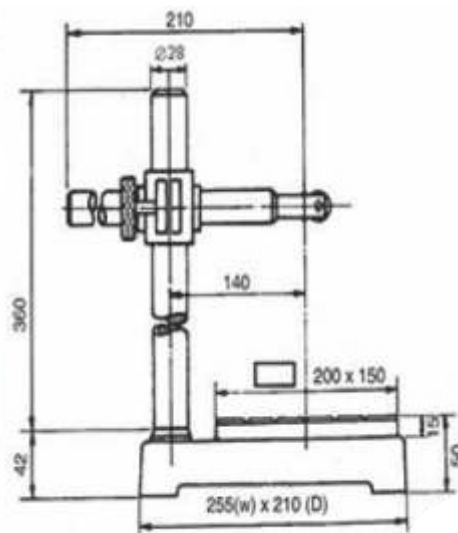
Mini Dial Indicator Stand
1020



Large Maxi Dial Indicator Stand
1030



1020



1030

JAFUJI Dial Indicator Stands and Comparator Stands are extremely rugged and universally adjustable to any position. These stands are well suited for inspection, layout, checking and line-up operations, anywhere in the shop. All settings are individually made without disturbing others. Quick height positioning of the indicator as well as adjustment in a horizontal plane is accomplished by a bracket holding the 22 mm horizontal dial indicator rod. Individual knurled thumb knobs clamps on the base point in any position. The horizontal dial indicator clamping rod provides lengthwise adjustment and each movement is having its own clamping knob. The grid type accurately ground anvil prevents work piece from sticking to it. All anvils are made of H.C.H.Cr and Hardened to $60 \pm 1\text{HRC}$.

DGS - 2 - 1020

Maxi Dial Indicator Stand is of Robust Design having an accurately grounded working surface. Rapid adjustment of the Dial Indicator is possible by moving it along the Horizontal and Vertical columns which facilities measurements at any point over the table.

DGS - 3- 1030

Having similar features of Maxi Dial Indicator Stand, provided with large Measuring Table.

Model No.	Clamping Stem Diameter	Maxi Working Height	Fine Adjustment Range	Mass Kg	Flatness
1020	8 mm	200 mm	--	7.8	3 μm
1030	8 mm	300 mm	--	14	5 μm

* Dial Gauge is not included

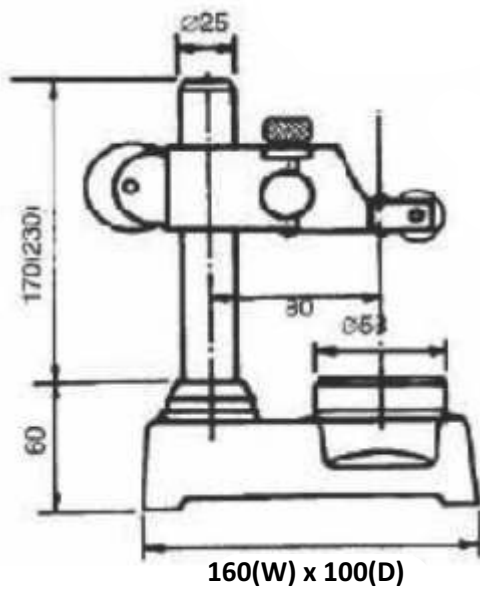
DIAL GAUGE STANDS

QUALITY, RELIABILITY AND VALUE FOR MONEY

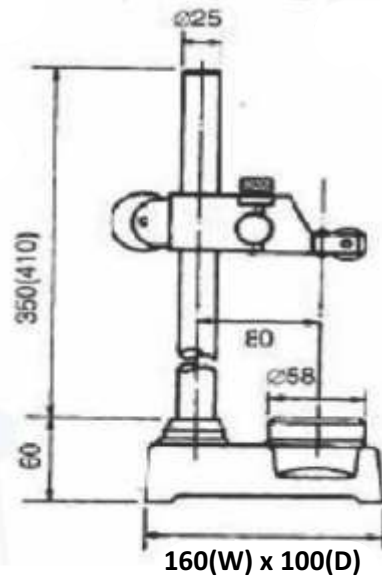
Dial Gauge Stand
1100 & 1110



Transfer Stand
1120



1100 & 1110



1120

This Dial Gauge Stand and Transfer Stand consists of a very stable, Cast Iron Base and an upright column with a mounting bracket that features Fine Adjustment. The serrated Anvil prevents the work piece from sticking to it.

This Rugged Transfer Stand provides a Rigid, Stable Base with complete and constant accuracy. It is a Unique Stand for Sensitive Dial Test Indicator to accurately transfer height settings from standard gauges and gauge blocks.

**DGS - 10
1100 - 1110
(Similar to Mitutoyo 7001, 7002)**

This is a very versatile stand, it easily adapts to thickness gauge and Comparator work.

- ★ Compact instrument, sturdy cast iron base.
- ★ Rugged bracket holds dial indicator firmly in place.
- ★ Can mount Digimatic Indicator and Linear Gauges.
- ★ Fine adjustment range of 1 mm of zero settings.
- ★ Optional interchangeable anvils are available.

**TS - 1, TS - 2
1120**

- ★ Unique constructions eliminate vibration when the stand is moved across the surface plate.
- ★ To ensure accuracy, the stand rests on three ground pads.
- ★ Sturdily constructed base and column allows complete rigidity when measuring
- ★ Fine adjusting range of 1 mm for zero settings.

Specifications

Code No.	Clamping Stem Diameter	Maxi Working Height	Fine Adjustment Range	Mass Kg	Flatness
1100	8 mm	125 mm	1 mm	4.25	3µm
1110	8 mm	125 mm	1 mm	4.25	3µm
1120	8 mm	300 mm	1 mm	5.0	3µm

* Dial Gauge is not included

DIAL INDICATOR, COMPARATOR STANDS

QUALITY, RELIABILITY AND VALUE FOR MONEY

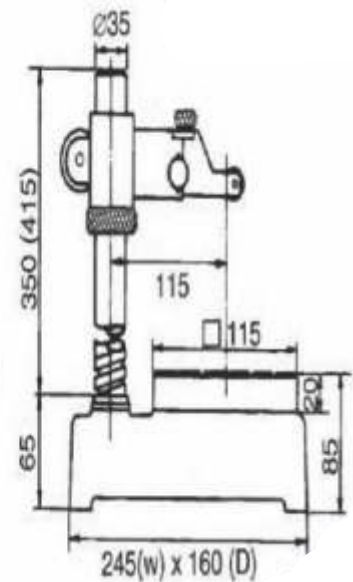
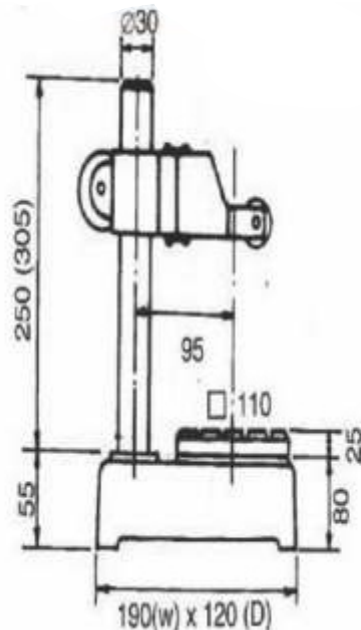
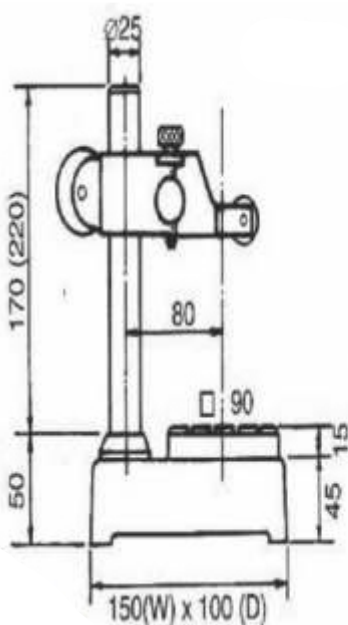
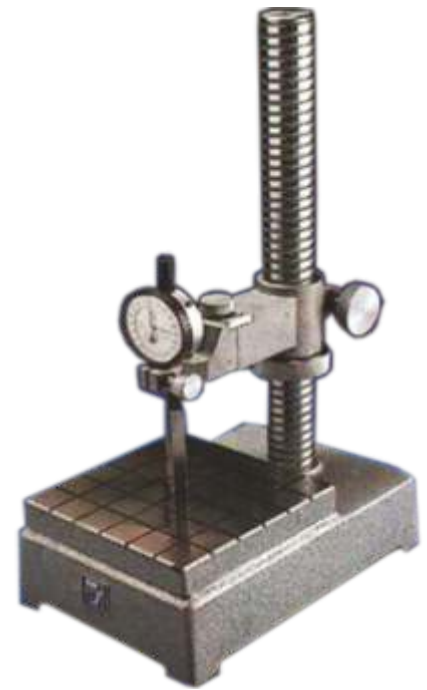
Comparator Stand
1140



Comparator Stand
1150



Comparator Stand
1160/1170



This Dial Gauge Stand and Comparator Stand consists of very stable, Cast Iron Base and an upright column with a mounting bracket that features fine adjustment. The Grid type Anvil prevents the work piece from sticking to it.

DIAL COMPARATOR STAND
1140 - 90 mm Sq. Anvil
(Similar to Mitutoyo 7007)

This Dial Gauge Stand and Comparator Stand consists of a very stable, cast iron base and an upright column with a Mounting Bracket that features fine adjustment. The Grid type Anvil prevents the work piece from sticking to it.

DIAL COMPARATOR STAND
1150 - 110 mm Sq. Anvil
(Similar to Mitutoyo 215-402, 215-403)

This Dial Gauge stand and comparator stand consists of a very stable, cast iron base with fine adjustment which consists of a strong and rigid parallel spring assembly.

DIAL COMPARATOR STAND
1160, 1170
(Similar to Mitutoyo 215-501, 215-502)

This Heavy duty precision dial gauge stand is provided with rapid fine adjustment movement. The serrated column has a knurled thumb nut which permits rapid up and down movement of indicator bracket assembly which acts as a safety device preventing accidental dropping of the indicator bracket assembly. The final indicator setting is made by turning a fine adjusting knob on the indicator bracket.

Specifications

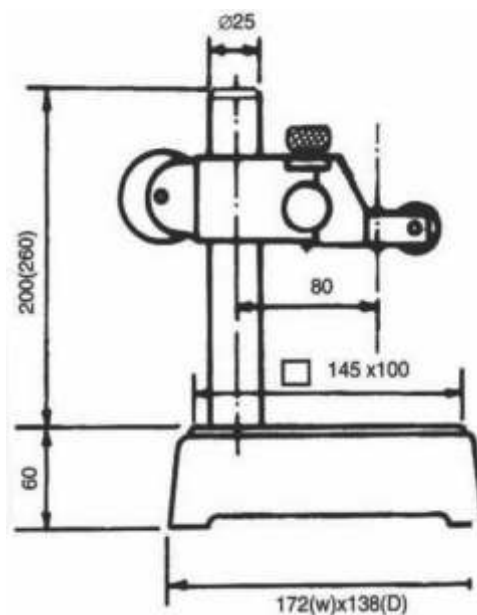
Code No.	Clamping Stem Diameter	Maxi Working Height	Fine Adjustment Range	Mass Kg	Flatness
1140	8 mm	100 mm	1 mm	4	3µm
1150	8 mm	180 mm	1 mm	8	3µm
1160	8 mm (12 mm)	260 mm	Entire stroke, coarse & fine adj. of 1mm	14.5	3µm
1170	8 mm	260 mm	1 mm	14.5	

* Dial Gauge is not included

DIAL INDICATOR, COMPARATOR STANDS

QUALITY, RELIABILITY AND VALUE FOR MONEY

Dial Comparator Stand
DGS-41/1190



1190

JAFUJI Comparator Stands are extremely rugged and universally adjustable to any position. These gauges are well suited to inspection, layout checking and line-up operations anywhere in the shop. These stands consist of a very stable, cast iron base and an upright column with a mounting bracket that features fine adjustments. The serrated anvil prevents the work piece from sticking to it.

DIAL COMPARATOR STAND

1190

This Dial Comparator Stand base is made from closed grained cast iron castings, seasoned, stress relieved and accurately ground working surfaces with fine adjusting range of 1mm.

Specifications

Code No.	Clamping Stem Diameter	Maxi Working Height	Fine Adjustment Range	Mass Kg	Flatness
1190	8 mm	130 mm	1 mm	8	3 μ m

* Dial Gauge is not included