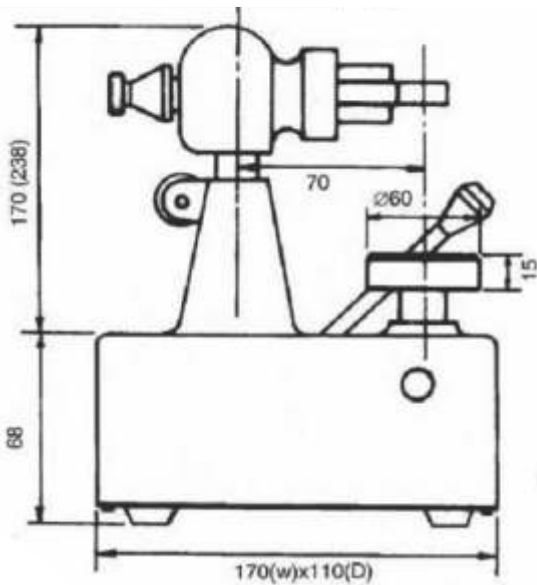


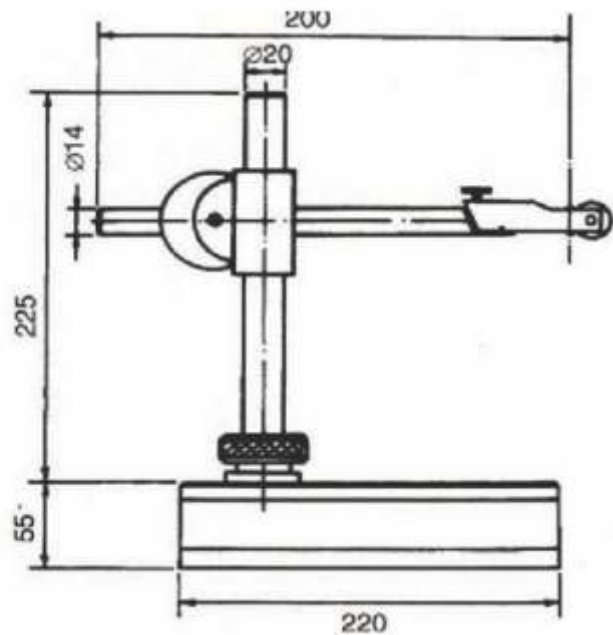
BORE MEASURING, DIAL INDICATOR STANDS

QUALITY, RELIABILITY AND VALUE FOR MONEY

Bore Measuring Stand
1310



Universal Dial Indicator Stand
1440



BMS-1 1310 BORE MEASURING STAND

For quick checks of bores in small work places. Hardened anvil plate can be raised with lever, thus moving test piece in to position. Anvil can be clamped at any height for checking eccentricity.

DGS-1440

Universal Dial Indicator Stand extra heavy and ruggedly made universal testing stand with fine adjustment makes quick and accurate measurement possible on surface plate set-ups. It is most useful for testing spindle run out of machine tools, lathe work etc., where the height accuracy is required. The indicator can be swiveled in all directions. It can be used in many different ways. e.g., on the surface plate in testing parallel surface of work piece. On machine tools for setting up pieces to be machined with reference to already existing surface. It can also be used with bench centre.

This is most ideal testing stand and universal. It can be used in conjunction with surface plate, as well as with bench centre. It is easily adaptable to suite the user applications where the highest accuracy is required.

Specifications

Code No.	Clamping Stem Diameter	Maxi Working Height	Fine Adjustment Range	Mass Kg	Remarks
1310	15 mm	--	--	6	--
1440	8 mm	250 mm	1 mm	5	--

* Bore Gauge and Dial Gauge not included