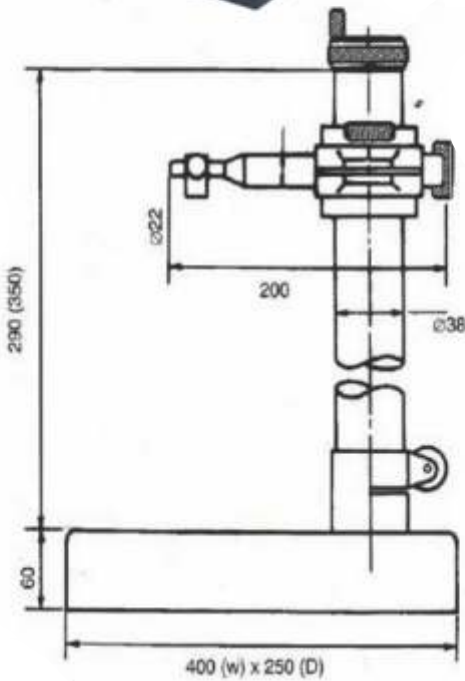


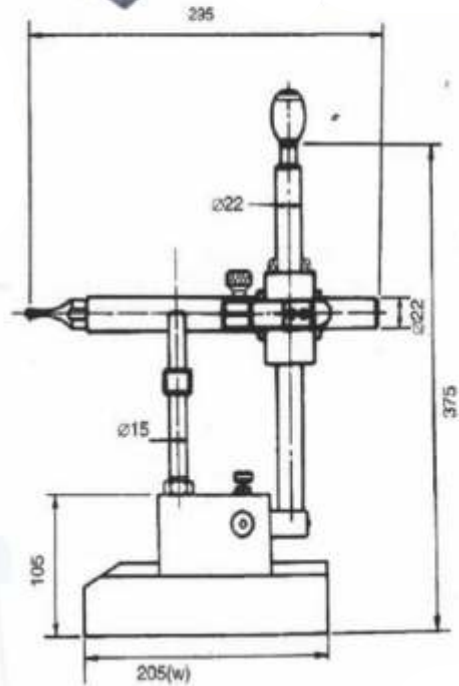
SURF TEST STAND, GEAR TEST ATTACHMENT

QUALITY, RELIABILITY AND VALUE FOR MONEY

Surf Test Stand
1810



Gear Test Attachment
3000



STS-1 SURF TEST STAND 1810

- ★ Most ideal and economical stand for checking surface finish.
- ★ Top end of the vertical column is provided with fine adjusting knob to facility easy height positioning.
- ★ Base made from precisely lapped Black Granite Stone.
- ★ Base Size : 400 x 250 mm
- ★ Vertical Column Height : 220 mm
- ★ Vertical Column Diameter : 48 mm
- ★ Mass Weight : 22 Kg.

GEAR TEST ATTACHMENT 3000

- ★ Ideal & Economical Gear test attachment for checking of gear pitch diameters.
- ★ Designed for easy mounting with bench centre.
- ★ Mass Weight : 12 Kgs.
- ★ Ball points, Dial Gauge not included.
- ★ Roughness Tester & Dial Gauge is not included.

* Surface roughness tester and dial gauge not included