

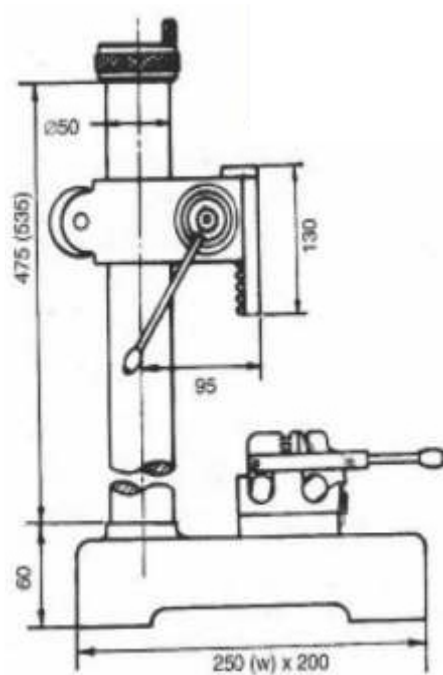
MICROMETER STAND, PUSH PULL GAUGE STAND

QUALITY, RELIABILITY AND VALUE FOR MONEY

Micrometer Stand
1660



Push Pull Gauge Stand
1710



MS-6 MICROMETER STAND

1660

Finely finished Micrometer Stand can be adjusted to any position.

The Micrometer Stand has a necessary clamping device which is meant for usage when more precise measurements are required.

Provides a desirable measuring position and angle for inside and outside Micrometers and many other instruments.

Suitable for Micrometer upto 100 mm

PGS-1

PUSH PULL GAUGE STAND

1710

- * Ideal test stand for force gauge.
- * Loading lever can be set in any position by nine degree increments for ease of operation.
- * Precisely machined rack and pinion and dovetailed slide assure smooth and precise motion.
- * Can mount force measuring gauge or torque measuring gauge.
- * Gripping fixtures on request to suit the application.
- * Wire terminal grip.
- * Dual roller self tightening grip.
- * Grips and Gauges not included.
- * Micrometer is not included.
- * Push pull gauge is not included.